

1 Ton | Rapide Porta Gantry Series | Adjustable

Specifications														
Capacity (lbs)	Model Number	A Beam Length	B (in)	C		D		E (in)	F		G	H		J
				Min.	Max.	Min.	Max.		Min.	Max.		Min.	Max.	
2,200	US-PGR1TM30	9'10"	3x8	6' 2 1/2"	8' 2 1/2"	5' 8 1/2"	8' 0"	7 x 4	6' 9 1/4"	9' 3 1/4"	4' 10 1/2"	7' 1/2"	9' 4"	10' 1 1/4"

Green shading reflects rental inventory.
 ** Ratings using ANSI Sstandards.

Product Features and Performance:

Accreditations, Certifications & Standards

OSHA Compliant ✓
 ANSI Z359.18-17 ✓

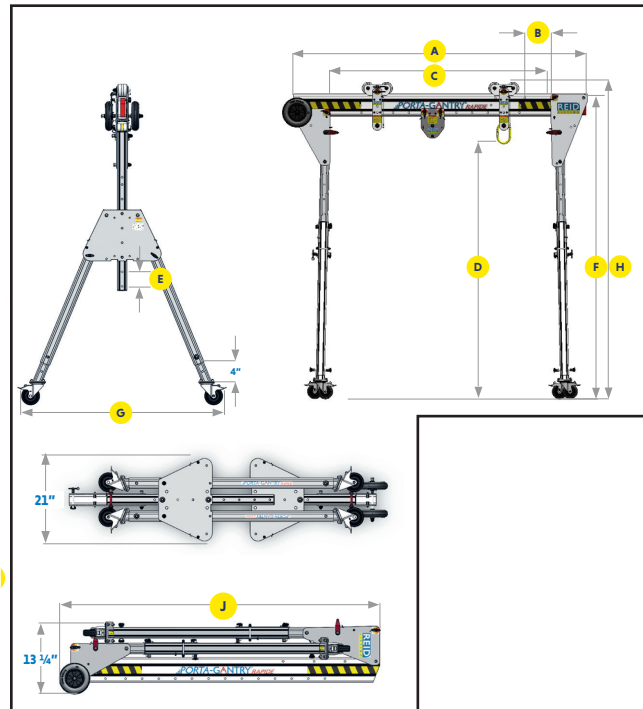
Capacity
 Max Goods Lifting (lbs) 2,200

Dimensions
 Min Working Height 5'8"
 Max Working Height 8'

Beam Options
 Beam Span 9'10" ✓



Model
US-PGR1TM30



- A Beam Length
- B Beam Adjustment
- C Clear Operating Span
- D Height to Lifting Eye
- E Height Increment
- F Height to Top of Beam
- G Width
- H Height to Top of Roller
- J Folded Dimansions