



**THE LIFTING EXPERTS**

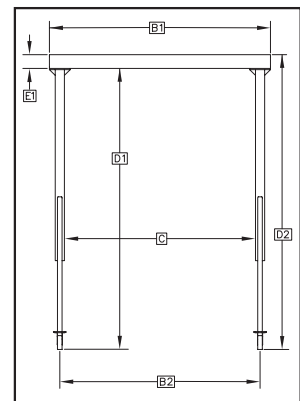
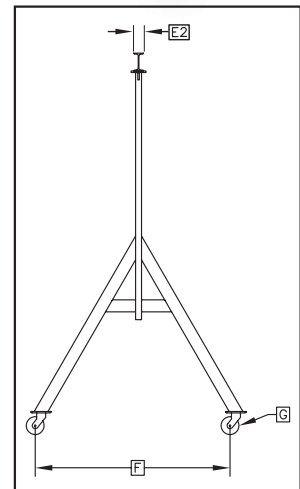
(800) 878-7305 [www.RentLGH.com](http://www.RentLGH.com) [Rentals@RentLGH.com](mailto:Rentals@RentLGH.com)

## Aluminum Gantries | 2 – 3 Ton | A-Series | Adjustable



**A Series – Aluminum Adjustable Height/Span**

Capacity (Tons)	B1 Overall Span	B2 Span Between Wheel Centers	C Clear Span	D1 Height Under Beam		D2 Overall Height		E1 Beam Size	E2 Beam Flange Width	F Tread Width	G Wheel Dia.	Weight (Lbs.)	Model
				Min.	Max.	Min.	Max.						
2 Ton	8'	7' 3"	6' 9"	5' 10"	8' 4"	6' 6"	9' 0"	ALU8" X 6.35#	4"	4' 4"	8"	237	2ALU0808
		7' 3"	6' 9"	7' 10"	10' 4"	8' 6"	11' 0"	ALU8" X 6.35#	4"	4' 4"	8"	246	2ALU0810
		7' 3"	6' 9"	9' 10"	12' 4"	10' 6"	13' 0"	ALU8" X 6.35#	4"	4' 4"	8"	276	2ALU0812
	10'	9' 3"	8' 9"	5' 10"	8' 4"	6' 8"	9' 2"	ALU10" X 8.76#	4 3/8"	4' 4"	8"	274	2ALU1008
		9' 3"	8' 9"	7' 10"	10' 4"	8' 8"	11' 2"	ALU10" X 8.76#	4 3/8"	4' 4"	8"	286	2ALU1010
		9' 3"	8' 9"	9' 10"	12' 4"	10' 8"	13' 2"	ALU10" X 8.76#	4 3/8"	4' 4"	8"	313	2ALU1012
	12'	11' 3"	10' 9"	5' 10"	8' 4"	6' 10"	9' 4"	ALU12" X 10.99#	5"	4' 4"	8"	322	2ALU1208
		11' 3"	10' 9"	7' 10"	10' 4"	8' 10"	11' 4"	ALU12" X 10.99#	5"	4' 4"	8"	334	2ALU1210
		11' 3"	10' 9"	9' 10"	12' 4"	10' 10"	13' 4"	ALU12" X 10.99#	5"	4' 4"	8"	361	2ALU1212
		14' 3"	13' 9"	5' 10"	8' 4"	6' 10"	9' 4"	ALU12" X 10.99#	5"	4' 4"	8"	355	2ALU1508
		14' 3"	13' 9"	7' 10"	10' 4"	8' 10"	11' 4"	ALU12" X 10.99#	5"	4' 4"	8"	367	2ALU1510
		14' 3"	13' 9"	9' 10"	12' 4"	10' 10"	13' 4"	ALU12" X 10.99#	5"	4' 4"	8"	394	2ALU1512
3 Ton	8'	7' 2"	6' 8"	6' 2"	8' 2"	7' 2"	9' 2"	ALU12" X 10.99#	5"	4' 8"	8"	350	3ALU0808
		7' 2"	6' 8"	7' 8"	10' 2"	8' 8"	11' 2"	ALU12" X 10.99#	5"	4' 8"	8"	369	3ALU0810
		7' 2"	6' 8"	9' 8"	12' 2"	10' 8"	13' 2"	ALU12" X 10.99#	5"	4' 8"	8"	416	3ALU0812
	10'	9' 2"	8' 8"	6' 2"	8' 2"	7' 2"	9' 2"	ALU12" X 10.99#	5"	4' 8"	8"	372	3ALU1008
		9' 2"	8' 8"	7' 8"	10' 2"	8' 8"	11' 2"	ALU12" X 10.99#	5"	4' 8"	8"	391	3ALU1010
		9' 2"	8' 8"	9' 8"	12' 2"	10' 8"	13' 2"	ALU12" X 10.99#	5"	4' 8"	8"	438	3ALU1012
	12'	11' 2"	10' 8"	6' 2"	8' 2"	7' 3"	9' 3"	ALU12" X 10.99#*	5"	4' 8"	8"	426	3ALU1208
		11' 2"	10' 8"	7' 8"	10' 2"	8' 9"	11' 3"	ALU12" X 10.99#*	5"	4' 8"	8"	445	3ALU1210
		11' 2"	10' 8"	9' 8"	12' 2"	10' 9"	13' 3"	ALU12" X 10.99#*	5"	4' 8"	8"	491	3ALU1212
	15'	14' 2"	13' 8"	6' 2"	8' 2"	7' 3"	9' 3"	ALU12" X 10.99#*	5"	4' 8"	8"	467	3ALU1508
		14' 2"	13' 8"	7' 8"	10' 2"	8' 9"	11' 3"	ALU12" X 10.99#*	5"	4' 8"	8"	479	3ALU1510
		14' 2"	13' 8"	9' 8"	12' 2"	10' 9"	13' 3"	ALU12" X 10.99#*	5"	4' 8"	8"	532	3ALU1512



Green shading reflects rental inventory.

\* Capped I-Beam

† 2' height extension kit included.

2' extension to top of gantry is removable and can be ordered separately to increase height of 9 ft. model. For 1/2 ton models only.

2' extension to top of gantry is removable and can be ordered separately to increase height of 8 ft. or 10 ft. models. For 1 ton, 2 ton or 3 ton models.

I-Beam	Flange Width
ALU5" X 3.43#	3"
ALU6" X 4.3#	3 3/8"
ALU8" X 6.35#	4"
ALU10" X 8.76#	4 3/8"
ALU12" X 10.99#	5"



## Aluminum Gantries | 2 – 3 Ton | A-Series | Adjustable with Pneumatic Casters



### Pneumatic Caster Measurements\*

	F1 (in)	F2 (in)	F3 (in)	F4 (in)
2 Ton	42	58	60	83.5
3 Ton	46	62	64	87.5

\*Wheel locks extend further than tires. Measurement is from edge of lock to edge of lock.

### A Series – Aluminum Adjustable Height/Span

Capacity (Tons)	B Overall Span (ft)	B1 Span Between Wheel Centers	C Clear Span	D1 Height Under Beam		D2 Overall Height		E Beam Size	G1 Wheel Dia. (in)	G2 Caster Width (in)	Weight (lbs)	Model	
				Min.	Max.	Min.	Max.						
2	8	7' 3"	6' 10"	6' 10"	9' 4"	7' 6"	10' 0"	ALU8X6.35#	16	15.75	477	2ALU0808-BPNE	
				8' 10"	11' 4"	9' 6"	12' 0"				486	2ALU0810-BPNE	
				10' 10"	13' 4"	11' 6"	14' 0"				514	2ALU1008-BPNE	
	10	9' 3"	8' 10"	8' 10"	6' 10"	9' 4"	7' 8"	10' 2"	ALU10X8.76#	16	15.75	526	2ALU1010-BPNE
					8' 10"	11' 4"	9' 8"	12' 2"				562	2ALU1208-BPNE
					10' 10"	13' 4"	11' 8"	14' 2"				574	2ALU1210-BPNE
	12	11' 3"	10' 10"	10' 10"	6' 10"	9' 4"	7' 10"	10' 4"	ALU12X10.99#	16	15.75	595	2ALU1508-BPNE
					8' 10"	11' 4"	9' 10"	12' 4"				607	2ALU1510-BPNE
					10' 10"	13' 4"	11' 10"	14' 4"				610	3ALU0808-BPNE
	3	8	7' 2"	6' 8 1/2"	7' 2"	9' 2"	8' 2"	10' 2"	ALU12X10.99#	16	15.75	629	3ALU0810-BPNE
					8' 8"	11' 2"	9' 8"	12' 2"				632	3ALU1008-BPNE
					10' 8"	13' 2"	11' 8"	14' 2"				651	3ALU1010-BPNE
10		9' 2"	8' 8 1/2"	8' 8 1/2"	7' 2"	9' 2"	8' 2"	10' 2"	ALU12X10.99#	16	15.75	686	3ALU1208-BPNE
					8' 8"	11' 2"	9' 8"	12' 2"				705	3ALU1210-BPNE
					10' 8"	13' 2"	11' 8"	14' 2"				687	3ALU1508-BPNE
12		11' 2"	10' 8 1/2"	10' 8 1/2"	7' 2"	9' 2"	8' 2"	10' 2"	ALU12X10.99#*	16	15.75	739	3ALU1510-BPNE
					8' 8"	11' 2"	9' 8"	12' 2"					
					10' 8"	13' 2"	11' 8"	14' 2"					
15		14' 2"	13' 8 1/2"	13' 8 1/2"	7' 2"	9' 2"	8' 2"	10' 2"	ALU12X10.99#*	16	15.75		
					8' 8"	11' 2"	9' 8"	12' 2"					
					10' 8"	13' 2"	11' 8"	14' 2"					

Green shading reflects rental inventory.

\* Capped I-Beam

† 2' height extension kit included.

2' extension to top of gantry is removable and can be ordered separately to increase height of 9 ft. model. For 1/2 ton models only.

2' extension to top of gantry is removable and can be ordered separately to increase height of 8 ft. or 10 ft. models. For 1 ton, 2 ton or 3 ton models.

